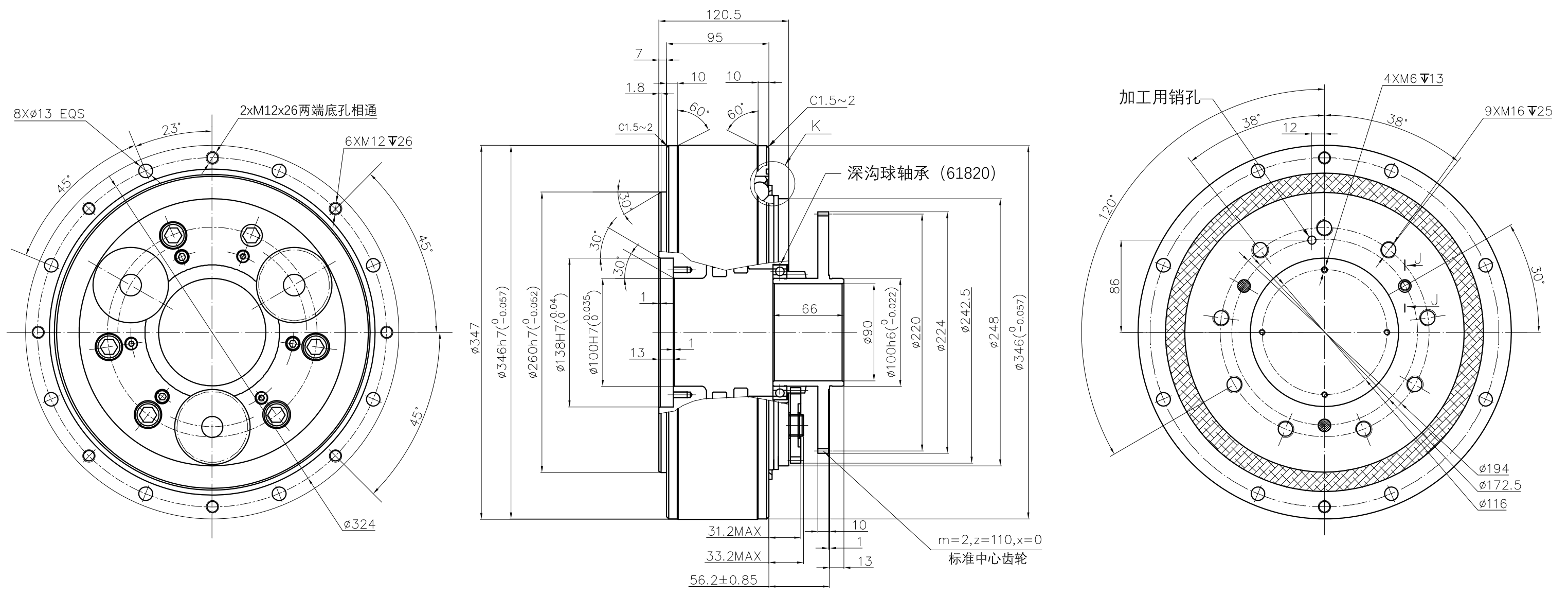


HRV200C

输出轴螺栓紧固型外形尺寸图  
Bolt clamping output shaft type

型号代码: HRV200C  
Type code

速比值  
speed ratio  
34.86 A B



K  
6:1

